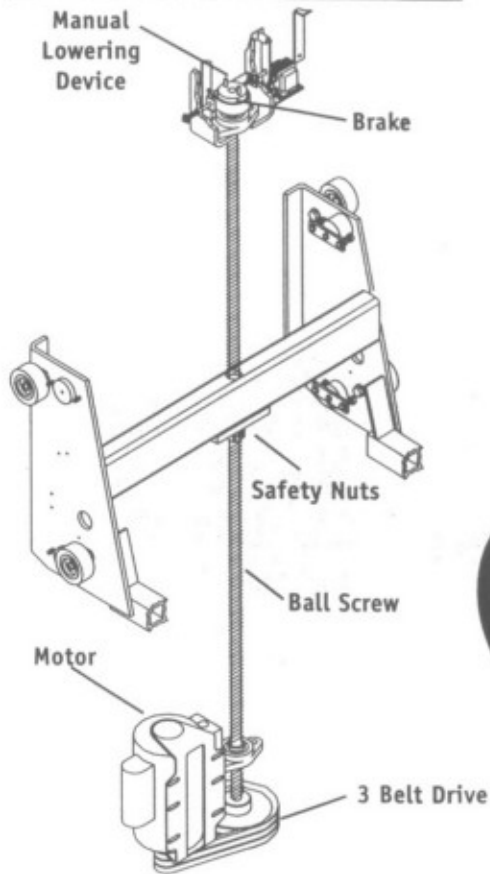


WheelFlyer™
SUBIRA HR™
 HIGH-RISE VERTICAL WHEELCHAIR LIFT

**CHOOSE FROM
 TWO DRIVE
 SYSTEMS...**

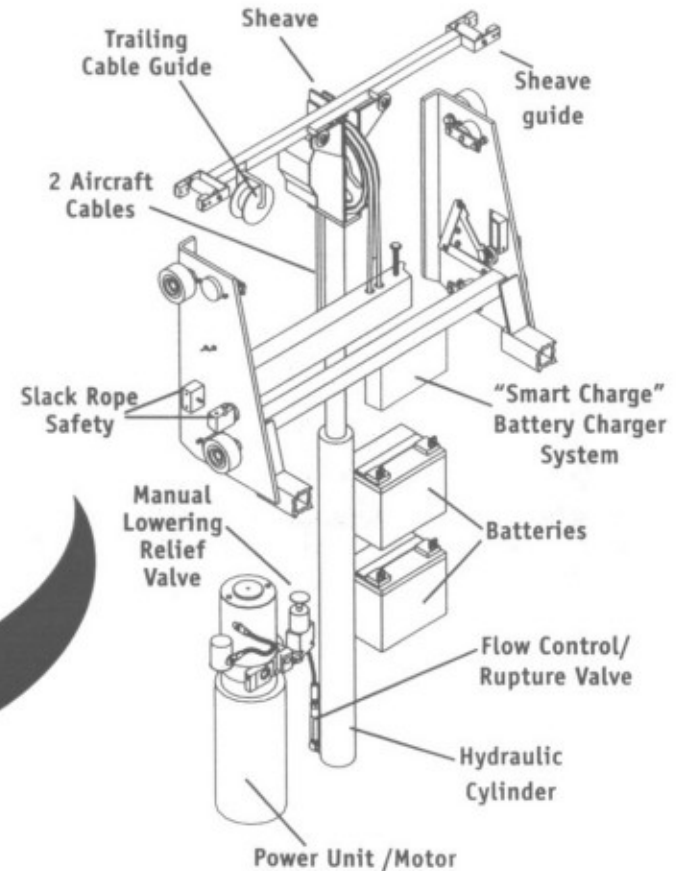
Ball Screw Drive System



Recirculating Ball Screw Drive System has been proven with many years of excellent service.

- Direct drive with instant reversing motor
- Ball Bearing drive with safety nut
- 3 belt drive system with monitoring device
- Electromechanical brake for positive stopping

Hydraulic Drive System

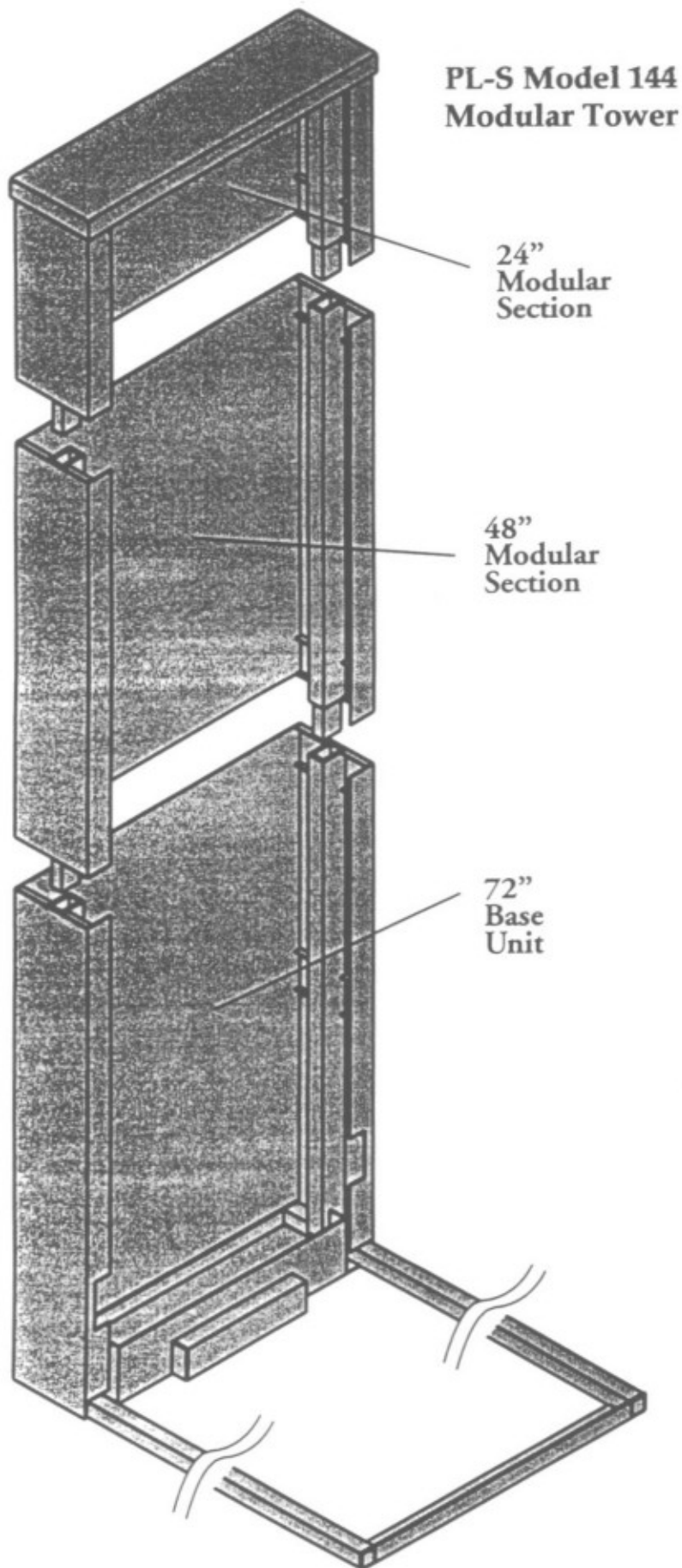


The Hydraulic Drive System

combines the simple, yet sophisticated, hydraulic technology with full-time battery operation.

- Whisper quiet, smooth operation
- 1:2 Roped hydraulic drive commonly found in elevators
- Galvanized aircraft ropes with stainless steel sleeves
- Unique "Smart Charge" system assures automatic charge to the batteries to maintain optimum performance

Model Porch-Lift® PL-S
 As Manufactured for
 Integrity Group Cos., Inc. by
 TK Access, LLC.



*WheelFlyer*TM

SUBIRA HRTM

HIGH-RISE VERTICAL WHEELCHAIR LIFT

HYDRAULIC DRIVE MODULAR TOWER DESCRIPTION

- Simplifies installation in existing hoistways
- Easier to ship and transport to the job site
- For lifting heights from 96" to 168"
- Available only with Hydraulic Drive
- Removable base standard with the modular tower option

Model Porch-Lift® PL-S
As Manufactured for
Integrity Group Cos., Inc. by
TK Access, LLC.